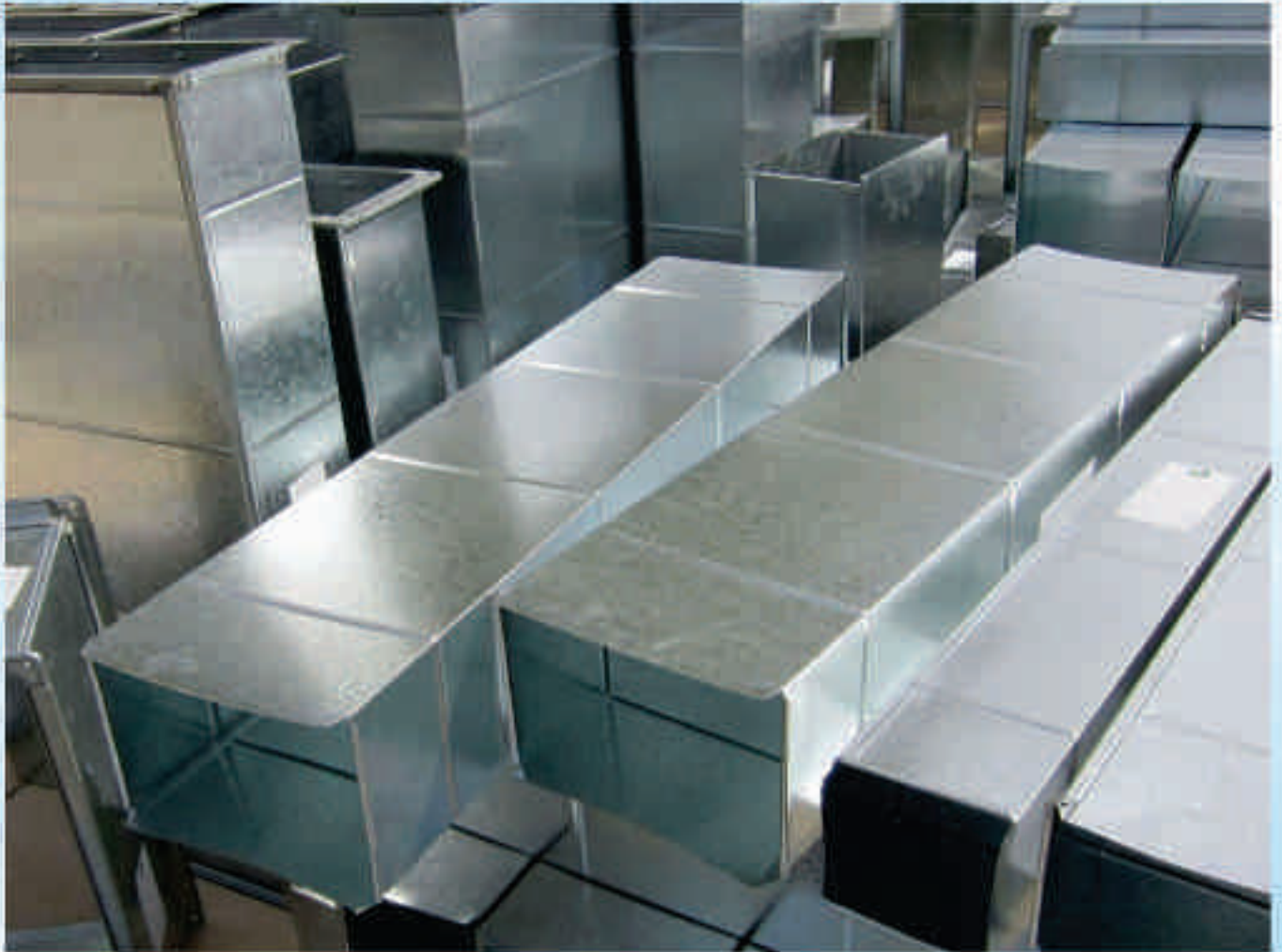




Exilon Industries



HVAC DUCT SYSTEM

F-7, Site B, Surajpur Industrial Area,
Greater Noida, Distt. Gautam Budh Nagar (U.P.)

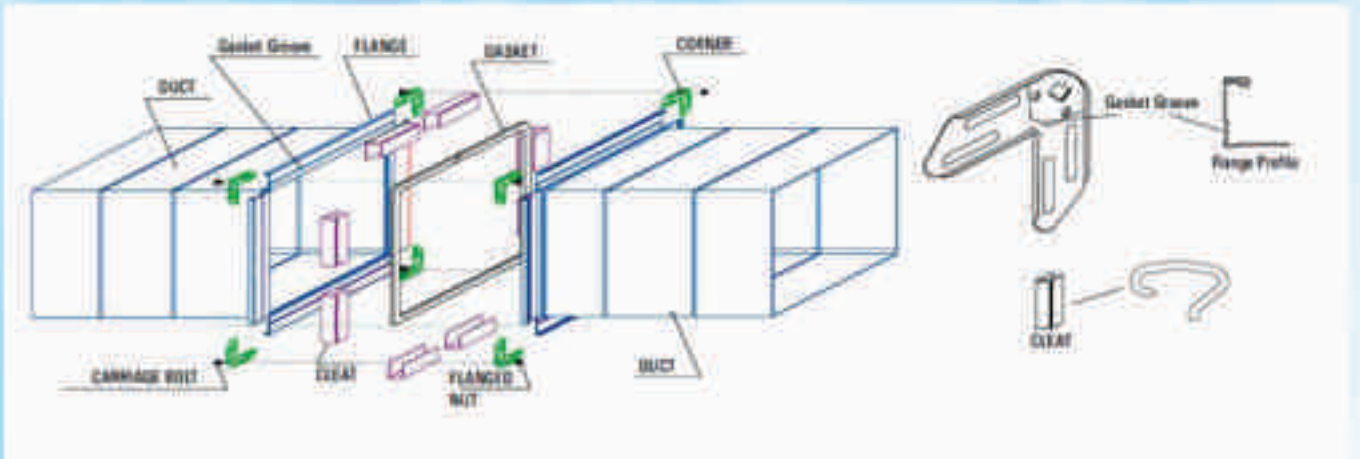
Tel.: 0120-3078550, **Mobile:** 9811153993, 9810537660

E-mail: exilon@rediffmail.com **Web:** www.exilonengineers.com

DUCT INSTALLATION

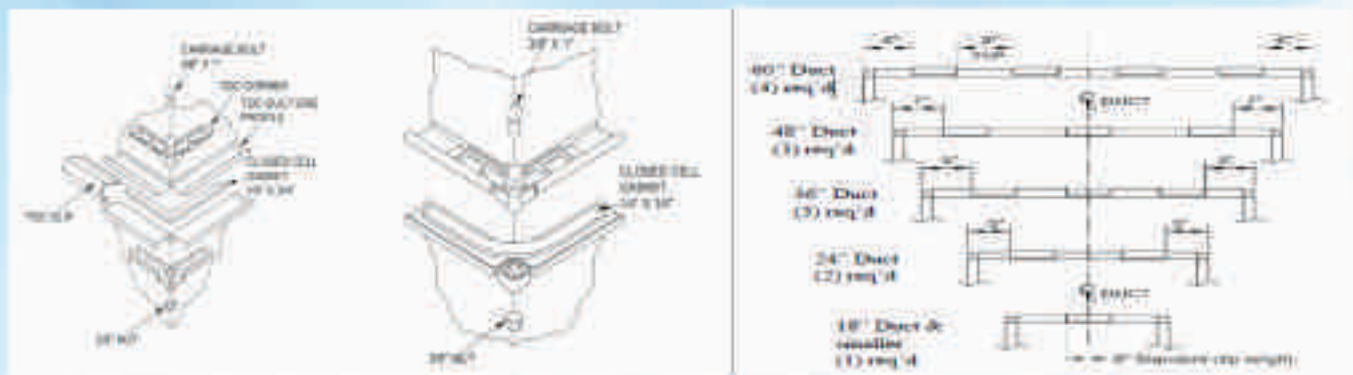


DUCT ASSEMBLY



CORNER ASSEMBLY

CLEAT ASSEMBLY



Welcome to EXILON INDUSTRIES

Exilon Industries is a manufacturer of high quality and wide range of Air ducting systems viz. Air Conditioning Duct, Pre-Fabricated Duct, Ventilation Duct, Exhaust Duct and Duct Accessories like Nuts/Bolts/Washers, Gasket etc.

Exilon Industries Undertake Ducting & Insulation Work For Central Air Conditioning, Ventilation & Air Cooling Plant Systems etc.

We offer cost effective and power efficient air ducting solutions to customers of different needs.

Exilon Industries prefabricated Air ducts are manufactured with very high quality material which is procured from very reliable vendors of the markets. These prefabricated ducts include smooth profile elbows so that the air flow within the duct is not disturbed. We customize these as per the clients specification and we offered these prefabricated ducts at very cost effective prices.

The Key Features of Rectangular Duct

- These ducts possess a very high tensile strength
- These are easily portable from one place to another
- They possess a longer lasting life
- They have a rugged and robust construction
- Higher insulation
- They are sturdily designed
- These ducts are quite easy to install as well
- They require much less maintenance
- Corrosion resistant

Rectangular Duct chart (Smacna)

S. No	Duct Size	Gauge	Joint Type
1	1-750	26	C & S Connecto
2	751-900	26	TDF Flanges
3	901-1200	24	TDF Flanges
4	1201-1500	22	TDF Flanges
6	1801-2100	20	TDF Flanges
7	2101-Above	18	TDF Flanges



Mission and Vision

We at EXILON INDUSTRIES look for continuous improvement and evolution, through individual and collective excellence, and committed to provide a complete solutions, products and services to our clients.

PRODUCTS

Pre-fabricated Ducts

We offer factory fabricated ducts in various sizes & profiles to be fit the requirements of different clients. We used very high quality raw material in the ducting process to assure sturdy ness and durability. We customize these factory fabricated duct as per the clients specification and offered at very cost effective prices also.



Exhaust Ducts

We offer fabricated G.I. Exhaust Ducting, manufactured with updated technology and good quality of raw materials to ensure the durability & good performance for Industrial, Hotels and Domestic requirements..

Our ducting meets the norm of international standards. We supply Exhaust duct as per specification given by the customer.



Ventilation Duct

We offer wide range of ventilation ducts which are fabricated by using very high quality material. And these ventilation ducts are used in various industrial cooling & ventilation purposes. Our ducting system helps to meet the ventilation requirement of buildings and to overcome the problems like moisture and smell in kitchens, Bath rooms and toilets etc.



HVAC Duct

We supply HVAC Ducts as per the customer's approved drawings for various Air Cooling Ducting projects. We offer customized ducting systems to ensure long lasting service. These are chemical resistance to broad spectrum of corrosive fumes, gases and fluids. The ducting systems manufactured and supplied by us are easy to handle and install.



MACHINERY

ROLL FORMING MACHINE



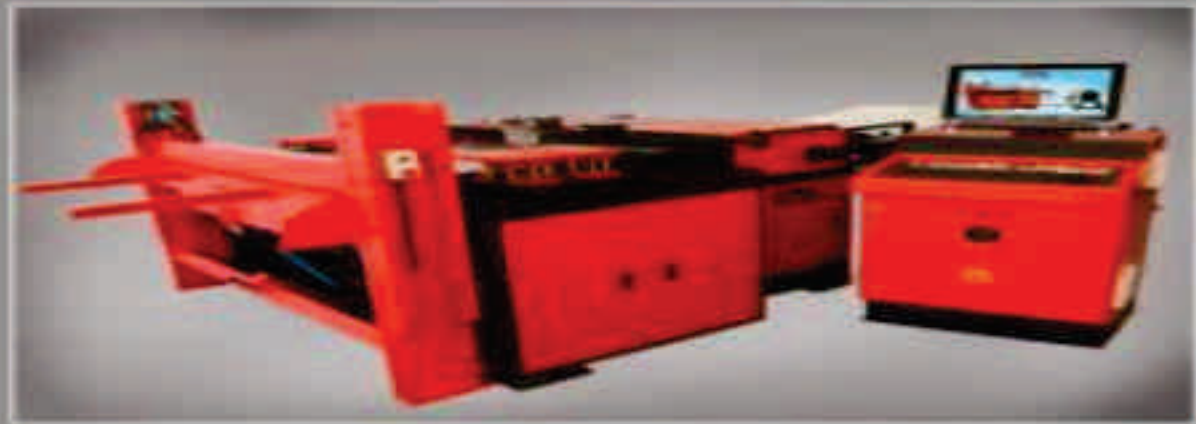
AUTO DUCT LINE



This Auto Duct Line is to be installed at our works by end of June 2017, This Machine is capable of fabrication duct thickness up to 1.6 mm and capacity of 800 sq meters per day.



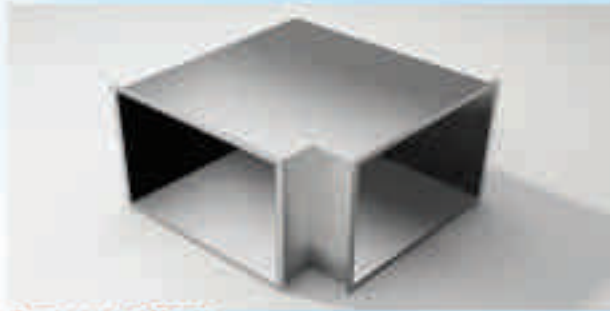
FS 1500 is state of art fully automatic coil line. The machine can perform all operations required to make straight rectangular ducts. The machine uses standard PC-PLC based control system and AC Servo Motor for high accuracy and power. The notching heads, folding and shearing is hydraulically operated.



Auto Duct Forming Line FS 1500

The machine comes with a strong 1500mm x 4 ton cap. Decoiler in standard 'A' frame free standing, free rotating design. One can add-on more decoilers if required. The design also make coil loading and unloading very easy.

Smartly designed beading & straightening station is easy to handle and produces very precision sheet movement. The standard beading head provides 5 Nos. U shaped SMACNA beads. The Head is powered by AC servo Motor for very precision movement of sheet metal. Easy to operate beading and straightening station can be adjusted just by rotating handles at one end.



Square Elbow



Radius Elbow



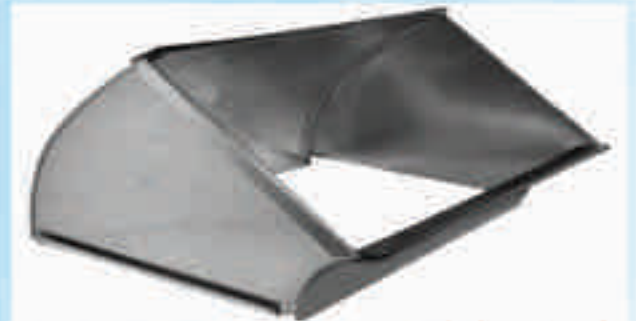
Square throat Angle



Round to Square Duct



Square throath Angle



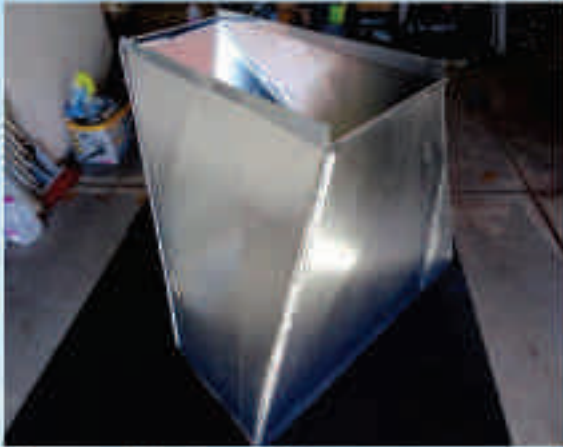
Radius Angle



Rectangle to round tansion



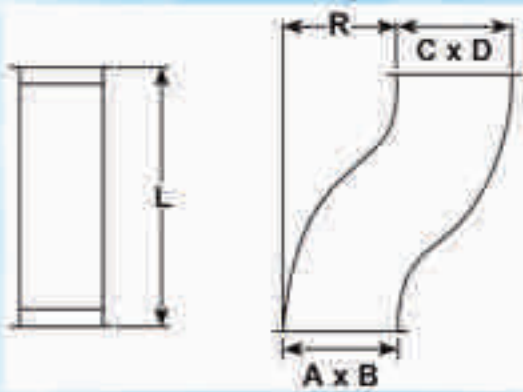
90 degree increased tap



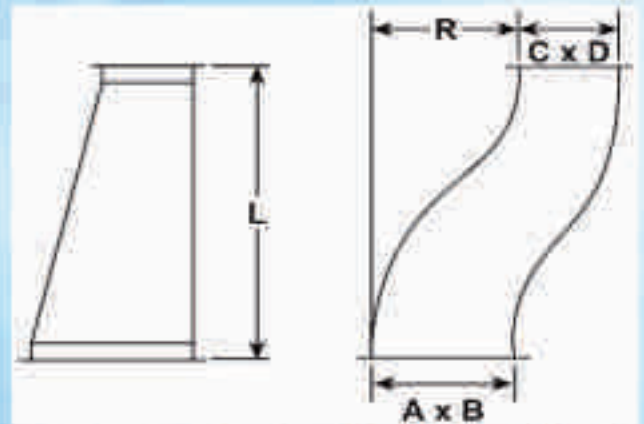
Concentric Transition



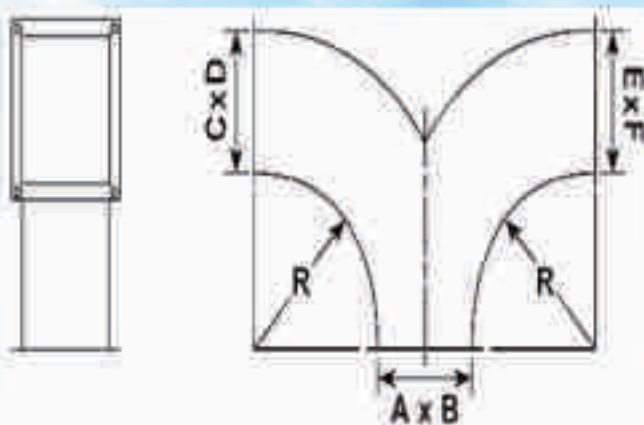
Transition – Top & Left sides Flat



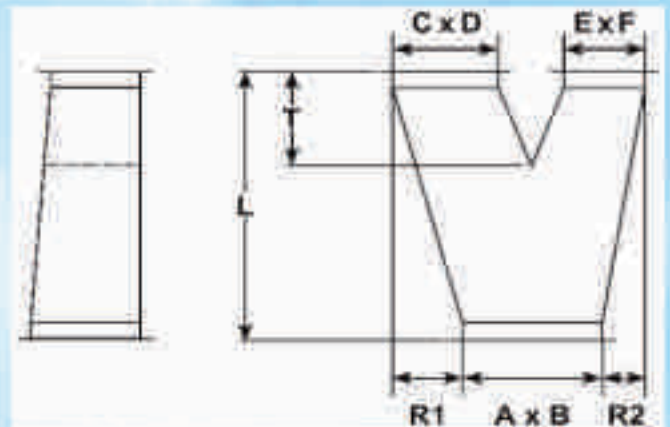
Radius offset



Reducing offset



Y-Branch



Pant



SQUARE DAMPER

Multi louver damper are used flow control for either supply and exhaust air.



CLEAT

Exilon Industries make cleat are fabricated from 20 -22 SWG sheet Standard length of 6" and installation at a interval of 175 mm.



FLEXIBLE CONECTOR

Flexible connector that eliminates duct system noise and vibration for industrial & commercial application it is used between the machinery and duct work .it is an air tight, flexible joint that isolates vibration to the source and reduce noise inside the duct system.



SPACER BAR

Spacer bar are used for support the duct from bottom And give a rigid installation.

CORNER

EXILON INDUSTRIES TDS corners are fabricated from special machines.TDS corners are used to align the duct by manual insertion process. It is formed for the fixing of 3/8" carriage bolt. It is available in variety of metals.



TIE ROD

EXILON INDUSTRIES IN DIA threaded bars are used to hang the duct at the roof height with the help of fasteners or clamps and the height adjustments are done with connectors.

GASKET

EXILON INDUSTRIES Gasket offer easy to use sealant to provide a smoke and vapour-tight seal and to prohibit any leakages/losses in the duct. It is a self adhesive closed cell industrial foam comprising of neoprene, PVC and nitrile.



"W" BRACKET

EXILON INDUSTRIES Bracket is used to support the duct from the bottom and is easy complete installation on time.0



“EXILON INDUSTRIES” Rectangular duct and fitting are factory fabricated to furnish with a high quality line of product in a broad range of standard size. Too minimize field – assembly/fabrication cost.

Longitudinal seams are typically made with Pittsburgh lock in transverse joint S&C cleat joint, four – bolt connectors are available.

“EXILON INDUSTRIES” – Rectangular duct work can be shipped completely assembled or knock down in 'L' shape. 'EXILON INDUSTRIES' standard rectangular products are fabricated to meet SMACNA, ASHREA duct connection/fabrication standards. We can also custom fabricated rectangular duct work for commercial and industrial application according to consultant specification.

F-7, Site-B, Surajpur Industrial Area, Greater Noida; Distt- Gautam Budh Nagar (U.P)

Tel.: 0120-3078550, **Mobile:** 9811153993, 9810537660

EMAIL: exilon@rediffmail.com | **Web:** www.exilonengineers.com